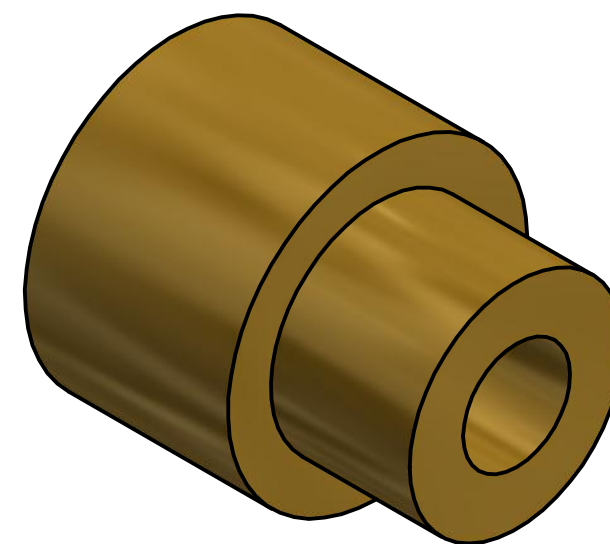
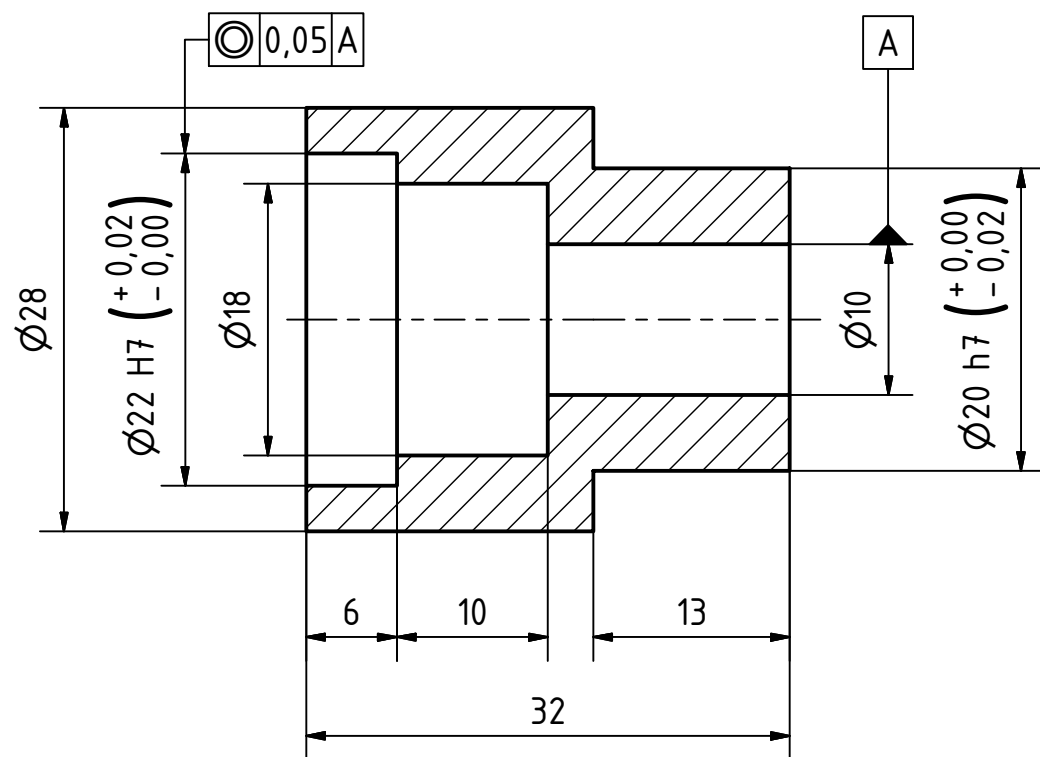
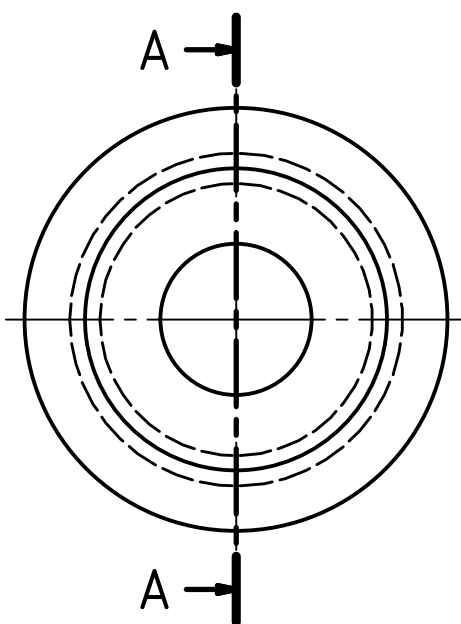


1,6

A-A (2 : 1)



Break Sharp Edges: 0,1 mm

| | | | | |
|------------------------------|--|------|---------------------|------------------------------|
| Revision | | Date | Description | |
| Engineered by: | | | Name: | Date: |
| | | | Designer: Galba, J. | 1/12/2010 |
| | | | Approved: Galba, J. | 1/12/2010 |
| Project: | | | | Scale: 2:1 |
| Miniature Model Steam Engine | | | | SheetSize: A3 |
| | | | | Material: Brass, Soft Yellow |
| | | | | Total Mass: 0.082 kg |

| | |
|--|--|
| Title: | |
| Horizontal Beam Engine with Centrifugal Pump | |
| Centrifugal Pump Bearing | |

| | | | | | | | | | | | | | | | | | | | |
|--|------------------|---------------------------------------|----------------|------------------|-------------------|--------------------|---------------------|---------------------|---------------------|---------------|----------------|-----------------------|-------------------|----------------------------|-----------------|------------------|-------------------|--------------|--|
| Corresponding symbols | | ▽ | ▼ | ▽▽ | ▼▼ | ▽▽▽ | ▼▼▼ | | | | | | | | | | | | |
| Roughness Classes (NBN 88-02) (ISO 1302) | | N11 | N10 | N9 | N8 | N7 | N6 | N5 | N4 | | | | | | | | | | |
| Roughness Value "Ra" in μm (NBN 88-02) (ISO 1302) | | 25 | 12,5 | 6,3 | 3,2 | 1,6 | 0,8 | 0,4 | 0,2 | | | | | | | | | | |
| Allowable deviations for dimensions without tolerance indication (machined surfaces) | | | | | | | | | | | | | | | | | | | |
| | | For measurements (deviations in mm) | | | | | | | Fillet and chamfers | | | Angles (in ° and ') | | | | | | | |
| Accuracyclass (ISO 2768.1) | Dimensions in mm | | | | | | | | Dimensions in mm | | | | | Length of the shortest leg | | | | | |
| | 0,5 to 3 | >3 to 6 | >6 to 30 | >30 to 120 | >120 to 400 | >400 to 1000 | >1000 to 2000 | >2000 to 4000 | 0,5 to 3 | >3 to 6 | >6 to 30 | >30 to 120 | >120 to 400 | to 10 | >10 to 50 | >50 to 120 | >120 to 400 | above 400 | |
| f Fine | ±0,05 | ±0,05 | ±0,1 | ±0,15 | ±0,2 | ±0,3 | ±0,5 | ±0,8 | ±0,2 | ±0,5 | ±1 | ±2 | ±4 | ±1° | ±30' | ±20' | ±10' | ±5' | |
| m Medium | ±0,1 | ±0,1 | ±0,2 | ±0,3 | ±0,5 | ±0,8 | ±1,2 | ±2 | ±0,4 | ±1 | ±2 | ±4 | ±8 | ±1°30' | ±1° | ±30' | ±15' | ±10' | |
| c Rough | ±0,2 | ±0,3 | ±0,5 | ±0,8 | ±1,2 | ±2 | ±3 | ±4 | ±0,4 | ±1 | ±2 | ±4 | ±8 | ±3° | ±2° | ±1° | ±30' | ±20' | |
| v Very Rough | - | ±0,5 | ±1 | ±1,5 | ±2,5 | ±4 | ±6 | ±8 | | | | | | | | | | | |

| | | |
|----------------|--|--|
| Drawingnumber: | | Sheet: |
| | | 0001 |
| Design State: | | Drawing made with autodesk Inventor Revisions only permitted by CAD |
| Released | | |

This document is for educational purposes only and property of Inventor Wizard. It shall not without our permission be altered, copied, used for manufacturing or communicated to any other person or company.

