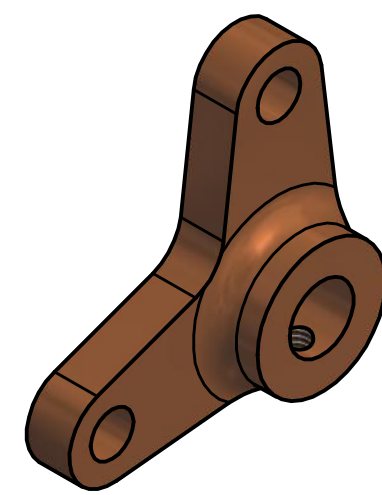
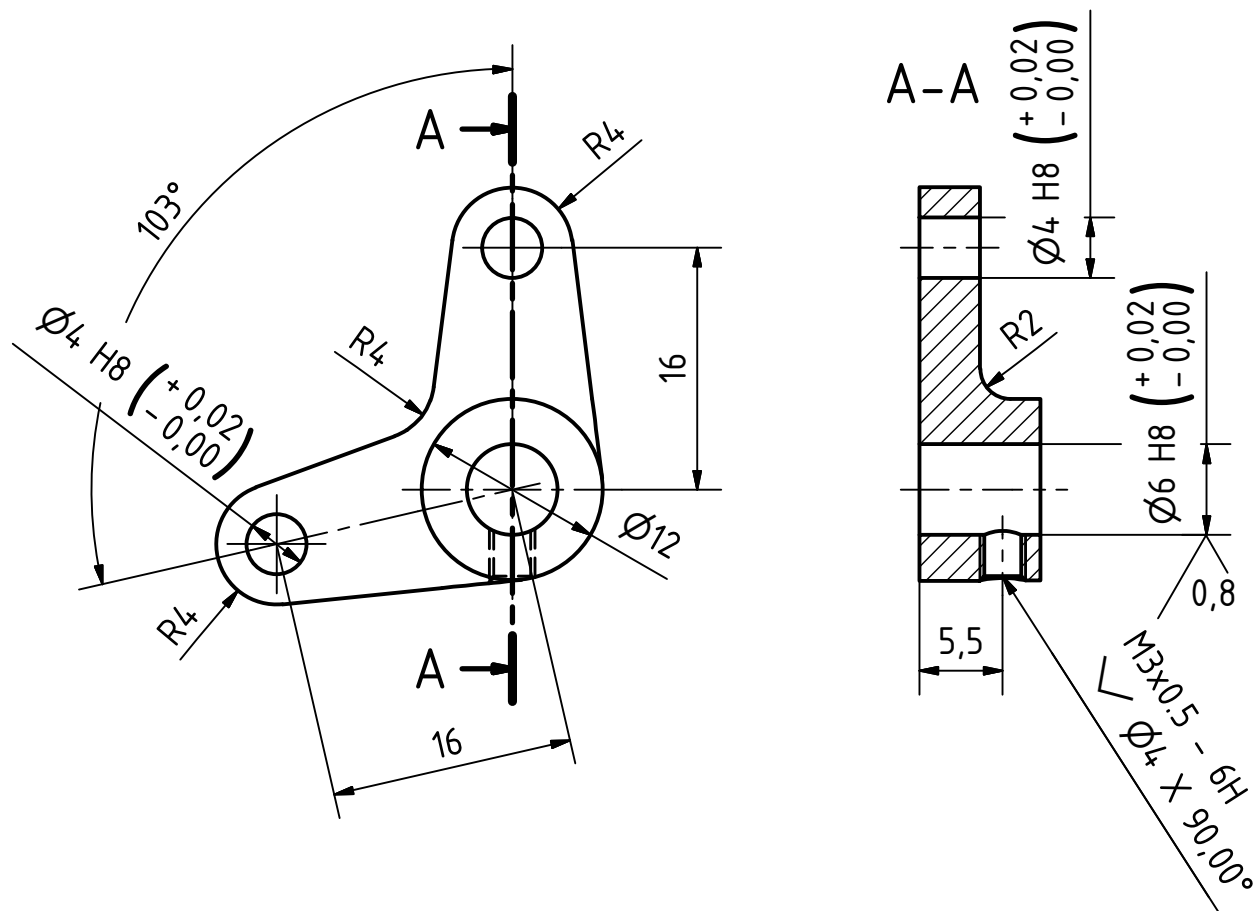


3,2 (✓)



Break Sharp Edges: 0,1 mm

Revision		Date	Description	
Engineered by:			Name:	Date:
			Designer: Galba, J.	1/12/2010
			Approved: Galba, J.	1/12/2010
Project:				Material: Copper Alloy
Miniature Model Steam Engine				Total Mass: 0.012 kg

Title:
**Horizontal Beam Engine with Centrifugal Pump
 Valve Linkage Dual Rocker**

Corresponding symbols		▽	▼	▽▽	▼▼	▽▽▽	▼▼▼											
Roughness Classes (NBN 88-02) (ISO 1302)		N11	N10	N9	N8	N7	N6	N5	N4									
Roughness Value "Ra" in µm (NBN 88-02) (ISO 1302)		25	12,5	6,3	3,2	1,6	0,8	0,4	0,2									
Allowable deviations for dimensions without tolerance indication (machined surfaces)																		
For measurements (deviations in mm)					Fillet and chamfers			Angles (in ° and ')										
Accuracyclass (ISO 2768.1)	Dimensions in mm								Dimensions in mm			Length of the shortest leg						
	0,5 to 3	>3 to 6	>6 to 30	>30 to 120	>120 to 400	>400 to 1000	>1000 to 2000	>2000 to 4000	0,5 to 3	>3 to 6	>6 to 30	>30 to 120	>120 to 400	to 10	>10 to 50	>50 to 120	>120 to 400	above 400
f Fine	±0,05	±0,05	±0,1	±0,15	±0,2	±0,3	±0,5	±0,8	±0,2	±0,5	±1	±2	±4	±1°	±30'	±20'	±10'	±5'
m Medium	±0,1	±0,1	±0,2	±0,3	±0,5	±0,8	±1,2	±2	±0,2	±0,5	±1	±2	±4	±1°30'	±1°	±30'	±15'	±10'
c Rough	±0,2	±0,3	±0,5	±0,8	±1,2	±2	±3	±4	±0,4	±1	±2	±4	±8	±3°	±2°	±1°	±30'	±20'
v Very Rough	-	±0,5	±1	±1,5	±2,5	±4	±6	±8	±0,4	±1	±2	±4	±8	±3°	±2°	±1°	±30'	±20'

Drawingnumber: _____ Sheet: **0001**

Design State: Released

InventorWizard .be/.nl

Drawing made with Autodesk Inventor Revisions only permitted by CAD

This document is for educational purposes only and property of Inventor Wizard. It shall not without our permission be altered, copied, used for manufacturing or communicated to any other person or company.