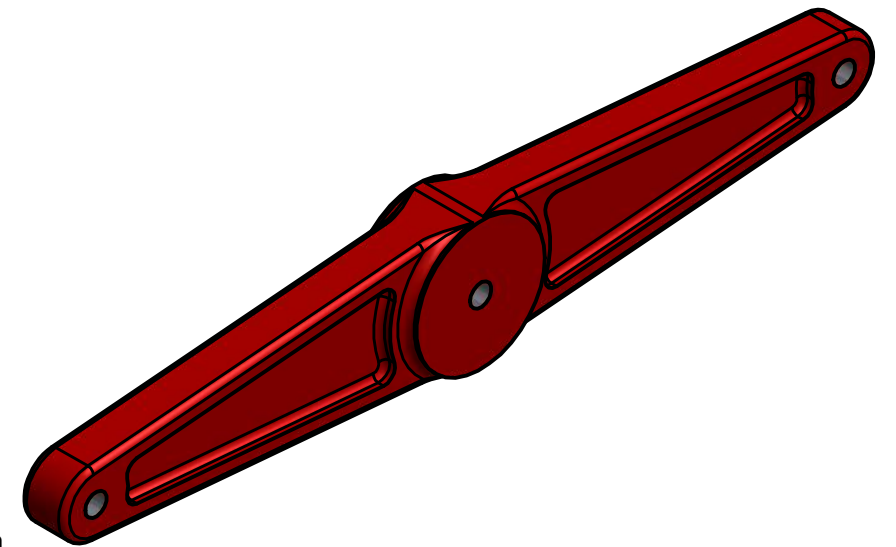
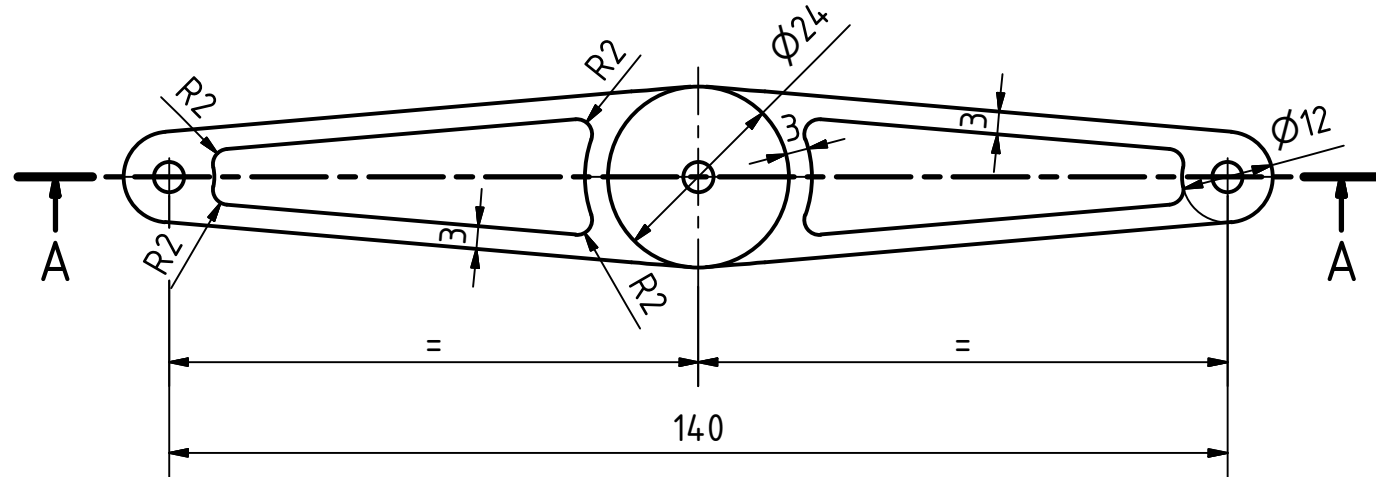
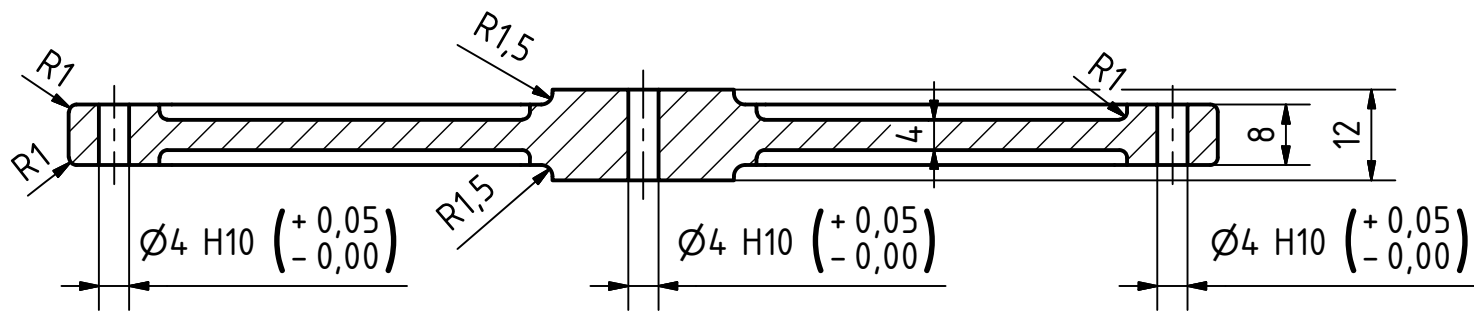


3,2 (✓)

A-A (1 : 1)



Break Sharp Edges: 0,1 mm

Revision	Date	Description

Engineered by:	Name:	Date:	Scale: 1:1	
Designer: Galba, J.	Galba, J.	1/12/2010	SheetSize: A3	
Approved: Galba, J.	Galba, J.	1/12/2010	Material: Steel, Mild	
Project: Miniature Model Steam Engine			Total Mass: 0,143 kg	

Title: Horizontal Beam Engine with Centrifugal Pump Beam	
Drawingnumber: 0001	
Design State: Released	

Corresponding symbols		▽	▼	▽▽	▼▼	▽▽▽	▼▼▼											
Roughness Classes (NBN 88-02) (ISO 1302)		N11	N10	N9	N8	N7	N6	N5	N4									
Roughness Value "Ra" in µm (NBN 88-02) (ISO 1302)		25	12,5	6,3	3,2	1,6	0,8	0,4	0,2									
Allowable deviations for dimensions without tolerance indication (machined surfaces)																		
For measurements (deviations in mm)		Filletts and chamfers			Angles (in ° and ')													
Accuracyclass (ISO 2768.1)	Dimensions in mm								Dimensions in mm		Length of the shortest leg							
	0,5 to 3	>3 to 6	>6 to 30	>30 to 120	>120 to 400	>400 to 1000	>1000 to 2000	>2000 to 4000	0,5 to 3	>3 to 6	>6 to 30	>30 to 120	>120 to 400	to 10	>10 to 50	>50 to 120	>120 to 400	above 400
f Fine	±0,05	±0,05	±0,1	±0,15	±0,2	±0,3	±0,5	±0,8	±0,2	±0,5	±1	±2	±4	±1°	±30'	±20'	±10'	±5'
m Medium	±0,1	±0,1	±0,2	±0,3	±0,5	±0,8	±1,2	±2	±0,2	±0,5	±1	±2	±4	±1°	±30'	±20'	±10'	±5'
c Rough	±0,2	±0,3	±0,5	±0,8	±1,2	±2	±3	±4	±0,4	±1	±2	±4	±8	±1°30'	±1°	±30'	±15'	±10'
v Very Rough	-	±0,5	±1	±1,5	±2,5	±4	±6	±8	±0,4	±1	±2	±4	±8	±3°	±2°	±1°	±30'	±20'

This document is for educational purposes only and property of Inventor Wizard. It shall not without our permission be altered, copied, used for manufacturing or communicated to any other person or company.



Drawing made with Autodesk Inventor Revisions only permitted by CAD